

Shaphil hardware

Products and Application Introduction

						← Handle Latch Series
						← Cylinder Latch Series
						← Electronic Latch Series
						← Lift & Turn Compression Latch Series
						← Swing Handle Series
						← Paddle latch Series
						← Toggle And Hook Series
						← Handles Series
						← Hinge Series

- Handle Latch
- Cylinder Latch
- Lift & Turn Latch
- Level Latch
- Multi Point System
- Paddle Latch
- Toggle and Hook
- Handles
- Hinge
- Electronic Latch

By Product and Product Function

Handle Latch

Shaphil
hardware



MS324



MS301



MS842



MS312



MS313



MS324-2 Locking
MS324-2A Non locking



- **Multiple handle styles**
- **Black and Chrome finish**
- **Locking and non-locking**
- **Adjustable cam for grip variation**
- **Multipoint capability**
- **Concealed mounting version**
- **Accommodates thick panel applications**
- **Type CW) & Type CCW**
- **Front or rear mount styles for quick installation or hidden hardware**



Cylinder Latch

Shaphil
hardware



MS733



MS 816-1
MS816-1A



MS816-4B



MS 826



MS705-3C



MS705-3C-4



MS705-1B



MS705-3E



MS816-1D-1



MS816-3S-1



MS816-1-X, MS816-1A-X, Large Size Compression Latches



WP001 water-proof cap (Optional)



HP001 handle pull (Optional)



Triangular
8mm



Hooked
4mm



Socket Hexagon
Female 8mm



Hexagon male
10mm



Square
8mm



Tubular
key



Square
7mm



Square
9mm



Slot



Triangular
7mm



Bellcore

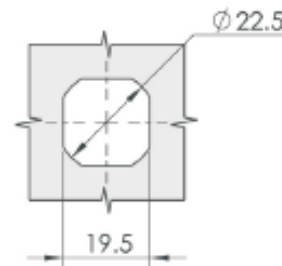
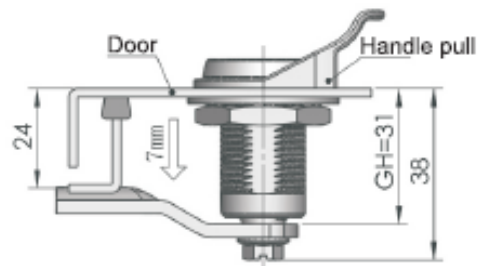


-Wing Head

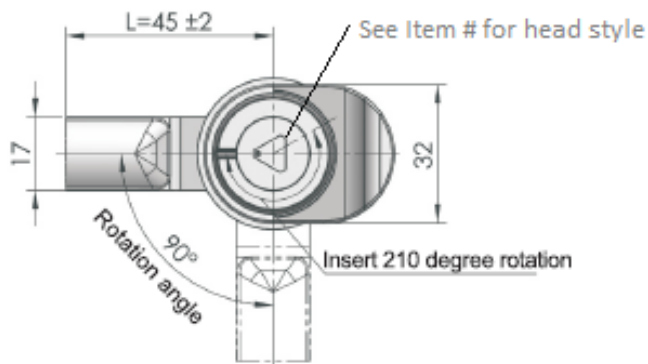
Send request to Shaphil-hardware for head style choices



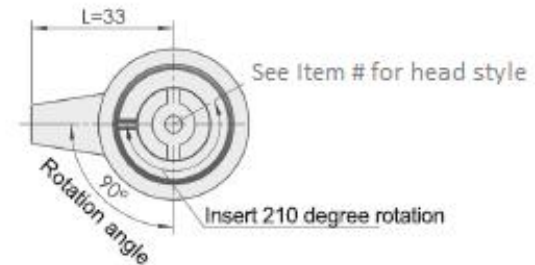
MS816-1-X, MS816-1A-X, Large Size Compression Latches



Cut out



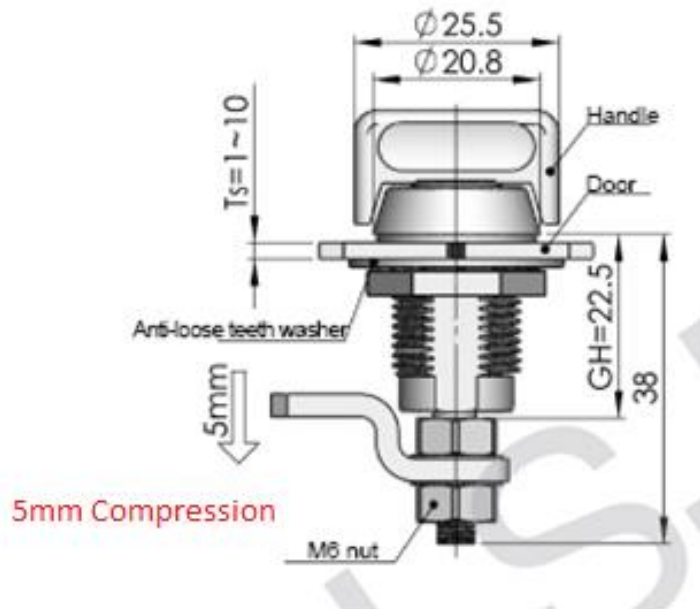
Unadjustable type



Adjustable type



Compression



- **Sealing**

- NEMA , IP
 - Outdoor Equipment
 - Equipment cleaned with a hose (food industry)
 - Keep out dust & moisture
 - Electronics and Telecom

- **Vibration**

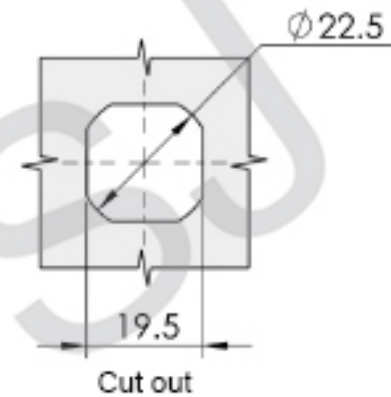
- Moving Application
 - Truck, Bus, Rail
 - HVAC
 - Machinery, Compressors, etc.



MS816-1D- 1
MS816-1D- 2



MS816-1E- 1
MS816-1E- 2



LARGE SIZE

**Addition MS816 Large Size Wing Style and T handle Style
Compression Latch (Both locking and Non locking)**



MS816-1-X, MS816-1A-X, Large Size Compression Latches

Specification	Unadjustable type		Adjustable type		KEY
	Model	ERP	Model	ERP	
8mm Triangle	MS816-1-1	MS816Z1DT04009	MS816-1A-1	MS816Z1DT04015	K15-3
S Hook	MS816-1-2	MS816Z1DT03007	MS816-1A-2	MS816Z1DT03010	K15-1
8mm Socket hexagon	MS816-1-3	MS816Z1DT24004	MS816-1A-3	MS816Z1DT24005	K15-18
10mm Hexagon	MS816-1-4	MS816Z1DT25001	MS816-1A-4	MS816Z2AT25001	K15-9
8mm Square	MS816-1-5	MS816Z1DT07001	MS816-1A-5	MS816Z1DT07003	K15-4
7mm Square	MS816-1-6	MS816Z1DT06001	MS816-1A-6	MS816Z1DT06003	K15-6
9mm Square	MS816-1-8	MS816Z1DT26001	MS816-1A-8	MS816Z1DT26003	K15-4
Slot	MS816-1-9	MS816Z1DT10001	MS816-1A-9	MS816Z1DT10003	
7mm Triangle	MS816-1-10	MS816Z1DT14002	MS816-1A-10	MS816Z1DT14003	K15-3
Knob Style			MS816-1A-11	MS816Z1A000001	
Abnormal	MS816-1-12	MS816Z1DT21001	MS816-1A-12	MS816Z1DT21004	
Bellcore			MS816-1A-14	MS816Z2AT31001	
Tubular			MS816-1A-15	MS816Z2AT21023	
Short Wing			MS816-1A-17	MS816Z2A000041	
Wing Knob Locking			MS816-1D-1	MS816Z1B000001	K57



MS816 Small Size

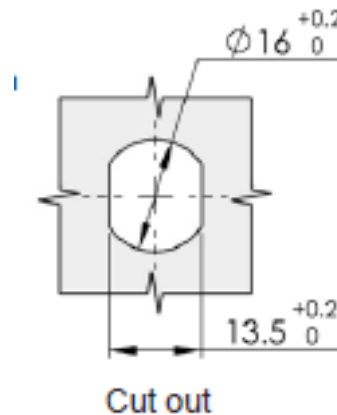
Specification	Model	ERP	Optional key
Handle	MS816-3S-1	MS816Z2A000028	
6mm Square	MS816-3S-2	MS816Z2AT05001	K15-5A
Abnormal	MS816-3S-3	MS816Z1AT21002	K370
Slot	MS816-3S-4	MS816Z1AT18006	

Remarks: Default cam S1G23N08 (Cutout $\varnothing 6 \times 4.7$)



Tubular key

MS816-3S-3





Cam Action Latches

Features

- Flush



Benefits

- Provides clean appearance on outside of enclosure and eliminates potential clearance problems..
- Customer can choose the exact look for their enclosure.
- Can be used as a lift ring to open door.
- Eliminates the need for more than one latch on surface of the door.



Quarter Turn cam action latch

Offering

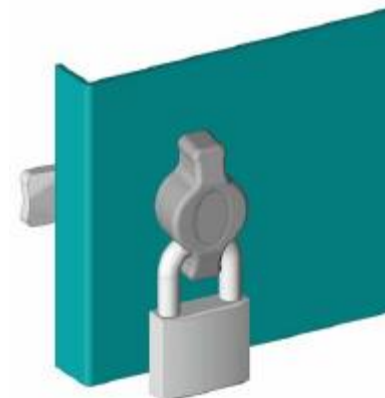
- Industrial standard head-styles
- Plastic tool drivers
- Stainless Steel
- Option of hook pawl, actuator plates, stepped cam
- Padlocking knob style



actuator plates

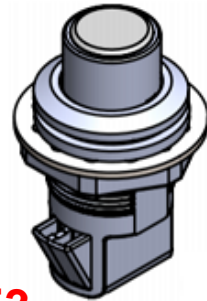


hook pawl





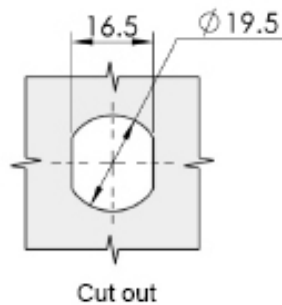
MS753



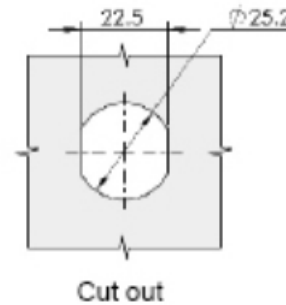
**MS753 Offer Locking and Non locking version
Slam push to close and handle pull to open, offer handle pull tab**



MS825 and MS826



**MS825
Small**



**MS826
Large**

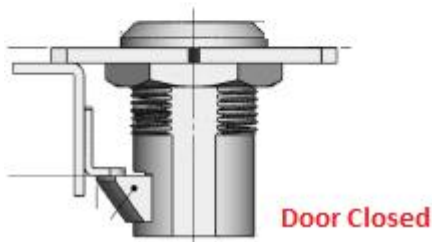
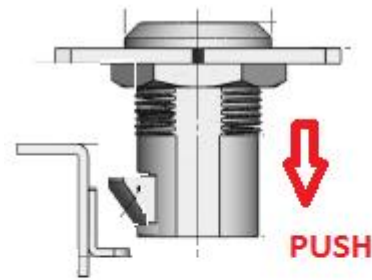
Slam push to close, key to lock and un-lock, with spring loaded hinge or handle



Push To Close

Features

- ▶ Turn knob to unlatch
- ▶ Key to open/slam to close
- ▶ 1 Hole Installation



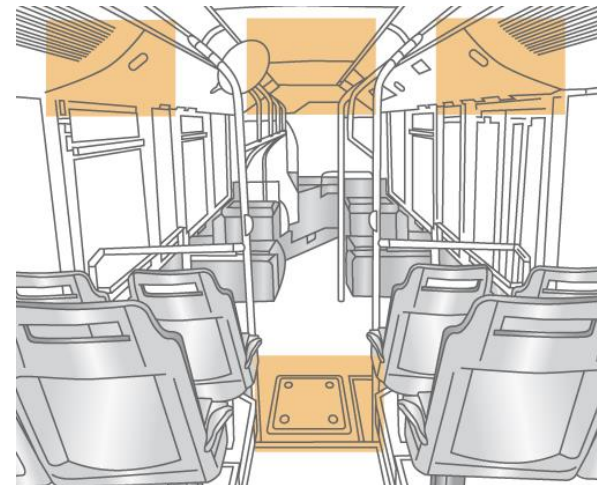
Benefits

- ▶ Easy actuation
- ▶ Provides added security with a simple close function
- ▶ Quick, low cost installation method



Quarter Turn Applications

“...hinged doors or lift-off panels that need to be securely latched to a frame.”





Low voltage switchboard Blok set



Applications :

- Medium & large industrial sites, oil & gas, paper, manufacturing industries, metal processing
- Medium & large commercial buildings : shopping malls, hotels
- Infrastructures : water treatment, hospitals, airports...

Cylinder Latch

Shaphil
hardware



MS816-1A-X



MS717-1



MS726



MS726-1A



MS726-2



MS857



MS64-3A

New Development: Offer MS726-1A with key locking version



**Offers Flush T- handle, Lift and Turn, with Cam Lock function;
Example: MS857**

Features

- Heavy Duty
- Mounting studs or Welding versions
- Single, two, or three point latching

Benefits

- Installation options for customers.
- Tamper resistant
- Can be used with rod system



Lift & Turn Latch

Shaphil
hardware



MS726



**Other latches as
MS324, L handle quarter
MS854-4, Swing handle
Multi system, etc**





MS719-1C



MS719



MS718



MS719-1CA



MS718-3



MS718-3C

**Level Latch with compression function
Lift to open and Push to close**



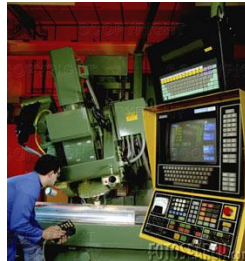
Lever Latch Applications





Level Latch, Compression

- Rail
- HVAC
- Off Highway
- RV
- Power Generation
- Lighting
- Industrial Machinery





MS719-1C lever latch line provides additional styling options and duty ratings



MS718-3 Sealed Lever latch, Black finish
Locking or non-locking



Lever Latch

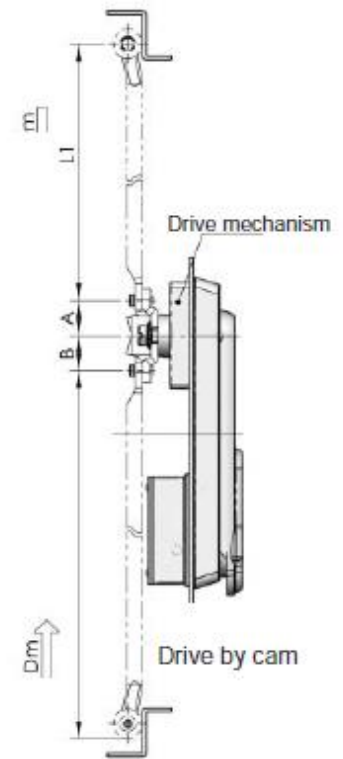
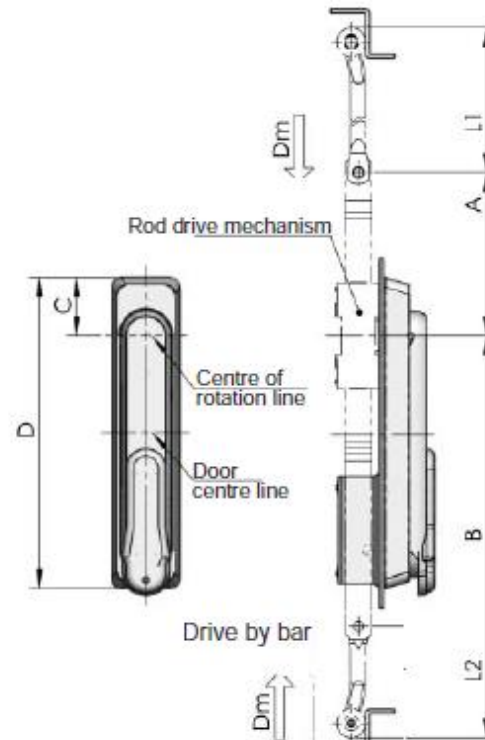
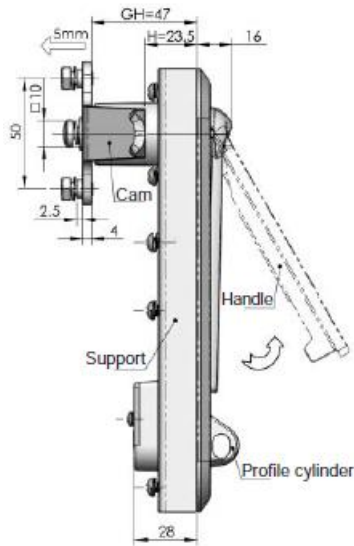


MS705



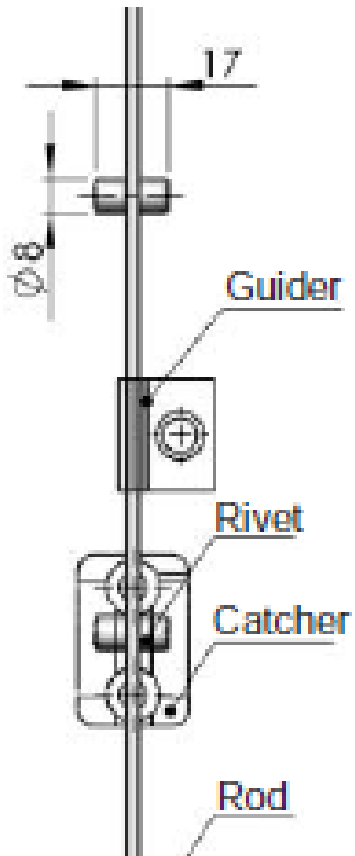
MS719-1C



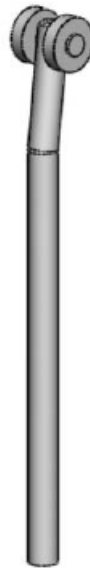


Multi-point System

Shaphil
hardware



001-2



LG002-1

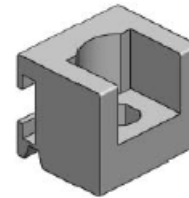


LG004

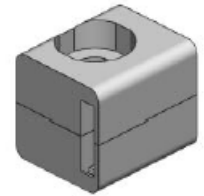


ROD

RG001-1



RG001-3



Guider

S3B6800A



S3C7200

Multi point cam

Multi-point System

Shaphil
hardware



**Side panels or
back panels**



Front door





Universal envelopes



Enclosures



Switchboards



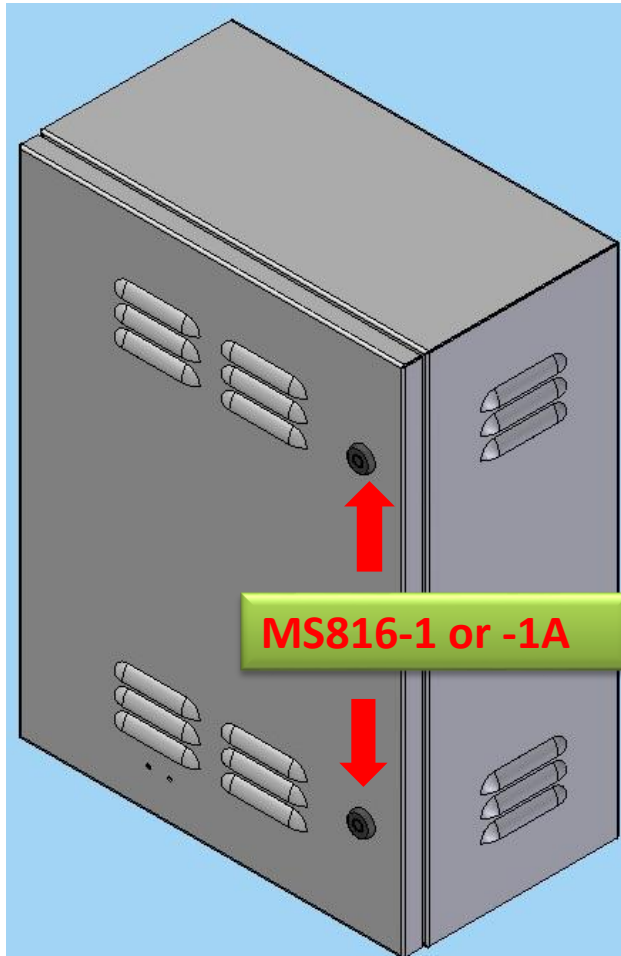
Datacenter



UPS

Multi-point System

Shaphil
hardware



MS864-4



Multi-point System

Shaphil
hardware

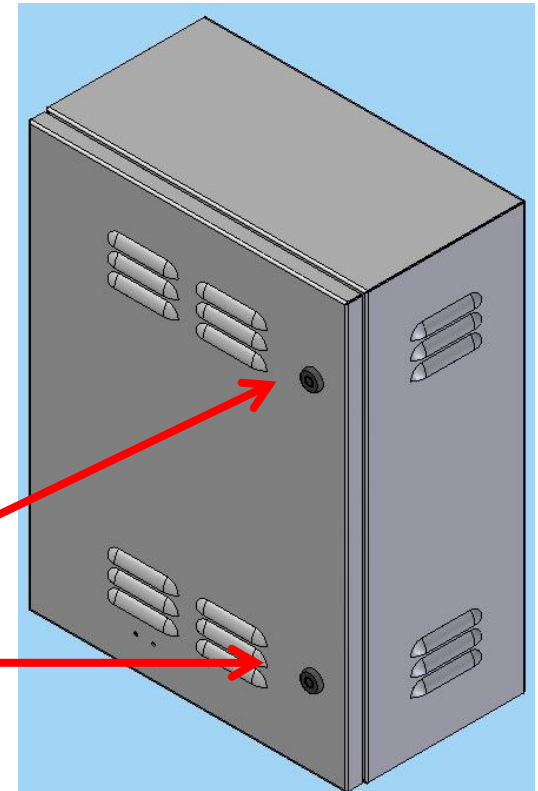
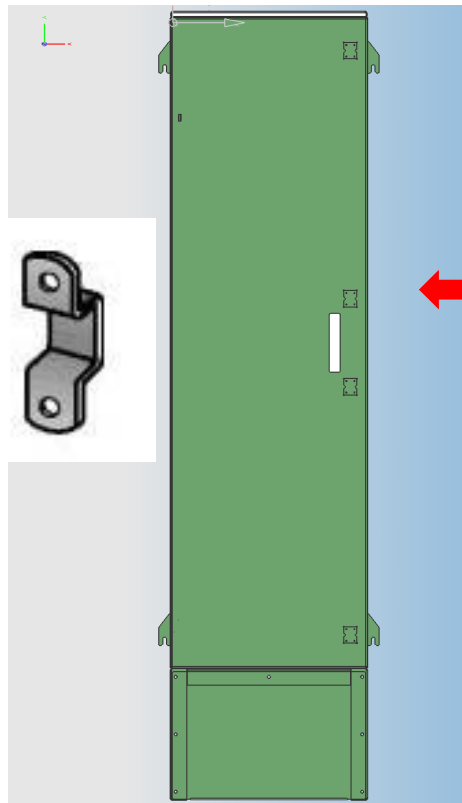


SJ[®]

www.shaphil-hardware.com

Multi-point System

Shaphil
hardware



Paddle Latch

Shaphil
hardware



MS870



MS866-8



MS866-4



MS866-5



MS866-1



MS881-3

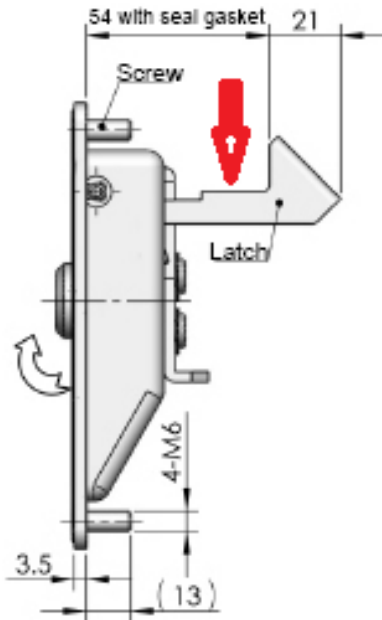


DK725



Paddle Latch

- Push the door to secure the latch
→ No other action is needed
- No mounting hardware is visible on the front side of the latch





Benefits

- ▶ Open/slam Close Function
- ▶ Quick, easy snap-in installation results in low installed cost.
- ▶ Slide to open permits quick entry & push to close for secure latching
- ▶ Provides corrosion resistance for harsh environments
- ▶ Allows for better grip and easier lifting
- ▶ Tab versions are ideal for smaller sizes & finger depression version ideal for larger applications.
- ▶ (Flush Style) Deeper Finger Depressions



MS866-8



MS866-21 MS866-22



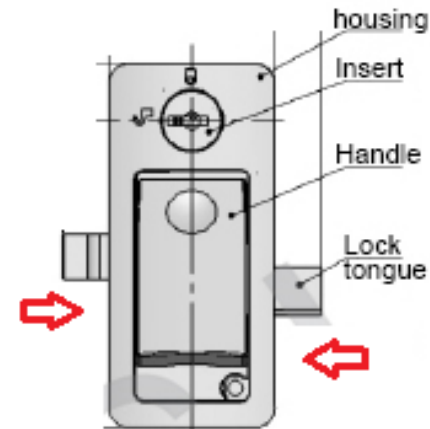
MS866-5



Benefits

- ▶ Left or Right Side Latching
- ▶ Key Lockable w/Status Indicators
- ▶ Locked/Unlocked Indicators
- ▶ Materials: Plastic
- ▶ Simple, Quick Installation
- ▶ Flush attractive, exterior. Paddle acts as pull.

I



DK725-8

Main material and finish: Black ABS+PC housing and handle, black PC support and insert, black ABS lock tongue, stainless steel screw

Application: Left turn the key, pull the handle to open

Remarks: Default 164 key



DKS-1



DK618-1



DK609



DK602



DK623



DK603



DK615



DK624



Over center Draw Latch

- Smaller size
- Same key lock as larger
- Black and Chrome finishes
- Drag feature for one hand operation

Competition

- Southco
- Kongjin – Korean made draw latch
 - most similar to the V7
- Takigen – Japanese draw latch
 - spring loaded keeper, 3 sizes



Applications

- Telecom Enclosures
- Industrial Equipment
- Saddlebags



Rotary Action

- Applications where one of the following is needed
 - Remote Actuation
 - Slam Action
 - High Strength
 - Low closing force
- Some typical applications include:
 - Emergency Vehicle Storage
 - Sliding trays
 - Fold-down truck bumpers
 - Large doors where 2-point latching is desired





MS748-3



DKS-1



MS864-1



Application

Handle

Shaphil
hardware



LS538





Benefits

- Fast, low cost installation
- Low Gloss Finish
- Corrosion resistant for harsh environment

LS537-1 Brief introduction:

PA+Glass fiber material make LS537-1 has good physicochemical and mechanical properties: wear-resisting, corrosion resisting, surface smooth, size steady, long service life, good temperature tolerance (Ambient temperature: -40°C~120°C)



LS537

Offered 3 Size

LS537-1

LS537-2

LS537-3



Benefits

- Hidden mounting hardware
- Non-Corrosive. Ideal for heavy-duty applications and / or in harsh environments
- Front mount version enables mounting when the rear of the panel is not accessible to the customer.
- Rear mount & Front Mount



LS522

Three similar style

LS522-1

LS522-2

LS522-3

Handle

Shaphil
hardware



DK607-2



LS508



MS726-2





CL225-1



Adjustable torque friction
Concealed, removable style
Positioning advantage
Lift-off
Piano SS
Corner door, removal
Continue friction - new

CL203-3



CL230



CL203-1



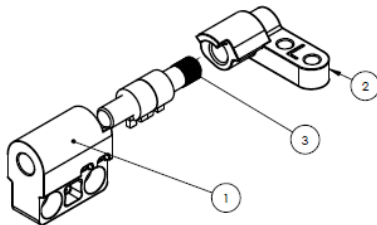
CL204-2



CL203-4



Coming New Friction Hinge



CL123

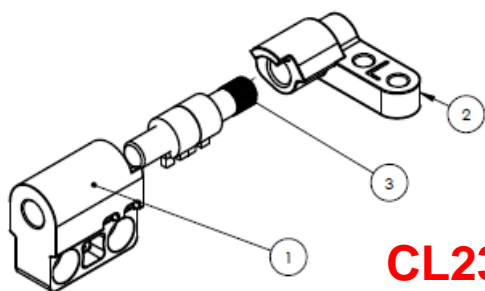


CL250-3

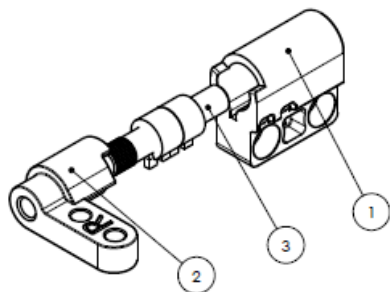




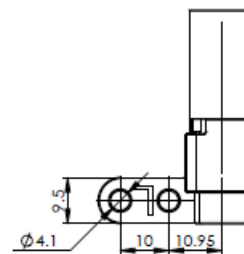
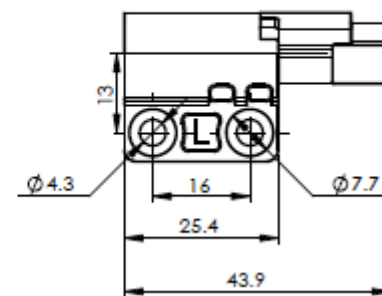
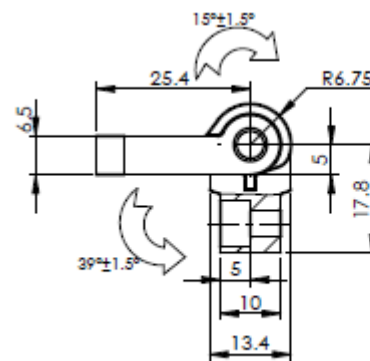
Coming New Friction Hinge



CL239-4-Z



CL239-4-Y



2.6±20%N.m;